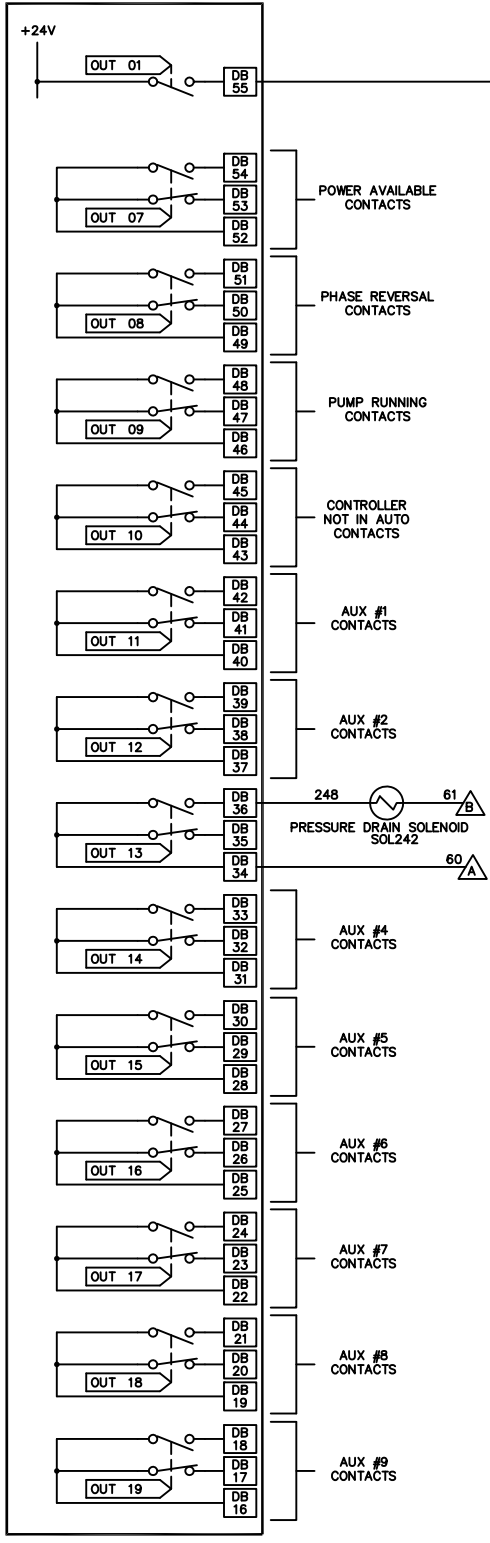



200
230
240
250
260
270



SYSTEM
-VDC PWR
(74)
C

225
HORN225

248
61 B
60 A
PRESSURE DRAIN SOLENOID
SOL242

	DRAWN <i>RL</i> 09-30-04	 METRON A Division of: Hubbell ICD, Inc. 4301 Cheyenne Dr., Archdale, NC 27263
	CHECK <i>SB</i> 11-05-04	
	APPD <i>M.G.</i> 11-05-04	
SCHEMATIC, MODEL MP430 COMBINED MANUAL-AUTOMATIC, WYE-DELTA, OPEN TRANSITION ELECTRIC FIRE PUMP CONTROLLER		OPTIONS: CS33657D
SCALE NTS		SHEET 2 OF 2